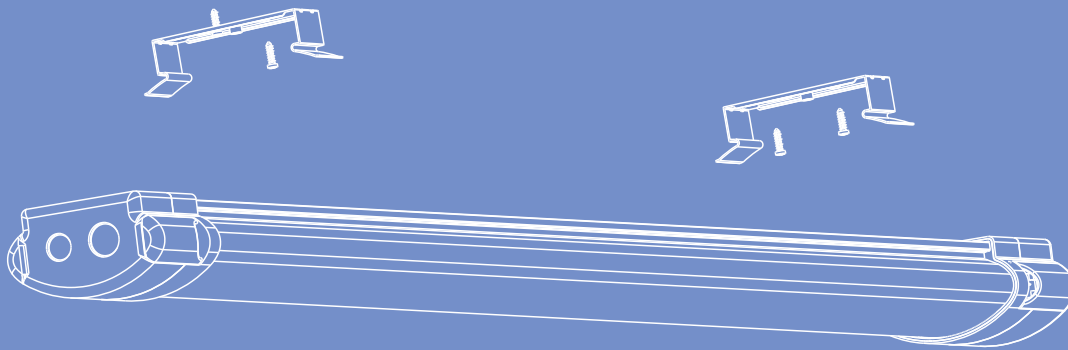


# PLATO SERIES

## LED TRI-PROOF LAMP

### 30W/40W/50W/75W



[        ] ( Applying )



## 1.Features:

- ◆ Clip design on both end cap sides, better for assembling and easy installation.
- ◆ Water-proof, dust-proof, corrosion-proof
- ◆ One-batch forming thick Aluminium built-in PC pipe, strong shock resistance and soft light
- ◆ High quality waterproof silica gel ring
- ◆ Standard lumen efficiency: 130/140LM/W
- ◆ High light transmittance PC cover, uniformity, no darkness, led invisible
- ◆ Frequent on-off acceptable, no flash, no light glare, high CRI
- ◆ Suitable for Switching by PIR , Mocrowave and Photocell if needs
- ◆ LED replacement for 30W ,50W and 75W fluorescent corrosion proof fitting

## 2.Application:



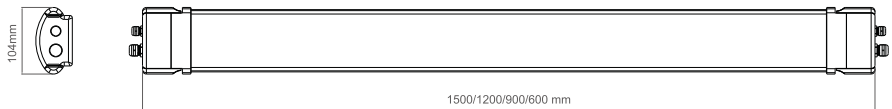
Wildly used in all types of production line, food plant, cool house, parking lot, factory, freight yard, shopping mall, and supermarket. It can replace traditional tri-proof lamp

### 3. Technical Parameters

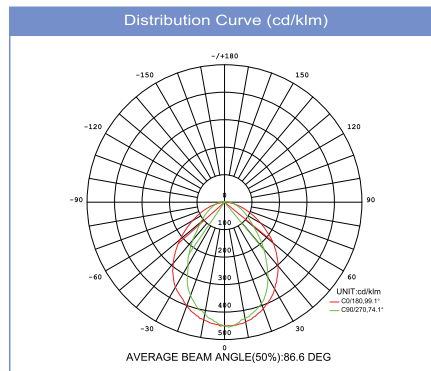
Part No.	CCT	CRI	IP	Luminous Efficiency	Watt	PC Cover	Flickering	Voltage	Size (m)	Beam Angle	Environment Temperature	Weight (kg)
MS-LL1575-XXCE013	6300K /5000K /4000K /3500K	80	65	>131Lm/W	75W	Frosted	Yes	AC220~240V	1.5	125°	-20°C~+45°C	2.4
MS-LL1575-XXCE014	6300K /5000K /4000K /3500K	80	65	>125Lm/W	75W	Frosted	No	AC220~240V	1.5	125°	-20°C~+45°C	2.4
MS-LL1575-XXBE015	6300K /5000K /4000K /3500K	80	65	>119Lm/W	75W	Clear+70°C Cover	Yes	AC220~240V	1.5	75°	-20°C~+45°C	2.4
MS-LL1575-XXBE016	6300K /5000K /4000K /3500K	80	65	>117Lm/W	75W	Clear+70°C Cover	No	AC220~240V	1.5	75°	-20°C~+45°C	2.4
MS-LL1250-XXCE009	6300K /5000K /4000K /3500K	80	65	>131Lm/W	50W	Frosted	Yes	AC220~240V	1.2	125°	-20°C~+45°C	2.1
MS-LL1250-XXCE010	6300K /5000K /4000K /3500K	80	65	>125Lm/W	50W	Frosted	No	AC220~240V	1.2	125°	-20°C~+45°C	2.1
MS-LL1250-XXBE011	6300K /5000K /4000K /3500K	80	65	>119Lm/W	50W	Clear+70°C Cover	Yes	AC220~240V	1.2	75°	-20°C~+45°C	2.1
MS-LL1250-XXBE012	6300K /5000K /4000K /3500K	80	65	>117Lm/W	50W	Clear+70°C Cover	No	AC220~240V	1.2	75°	-20°C~+45°C	2.1
MS-LL0940-XXCE005	6300K /5000K /4000K /3500K	80	65	>131Lm/W	40W	Frosted	Yes	AC220~240V	0.9	125°	-20°C~+45°C	1.8
MS-LL0940-XXCE006	6300K /5000K /4000K /3500K	80	65	>125Lm/W	40W	Frosted	No	AC220~240V	0.9	125°	-20°C~+45°C	1.8
MS-LL0940-XXBE007	6300K /5000K /4000K /3500K	80	65	>119Lm/W	40W	Clear+70°C Cover	Yes	AC220~240V	0.9	75°	-20°C~+45°C	1.8
MS-LL0940-XXBE008	6300K /5000K /4000K /3500K	80	65	>117Lm/W	40W	Clear+70°C Cover	No	AC220~240V	0.9	75°	-20°C~+45°C	1.8
MS-LL0630-XXCE001	6300K /5000K /4000K /3500K	80	65	>131Lm/W	30W	Frosted	Yes	AC220~240V	0.6	125°	-20°C~+45°C	1.6
MS-LL0630-XXCE002	6300K /5000K /4000K /3500K	80	65	>125Lm/W	30W	Frosted	No	AC220~240V	0.6	125°	-20°C~+45°C	1.6
MS-LL0630-XXBE003	6300K /5000K /4000K /3500K	80	65	>119Lm/W	30W	Clear+70°C Cover	Yes	AC220~240V	0.6	75°	-20°C~+45°C	1.6
MS-LL0630-XXBE004	6300K /5000K /4000K /3500K	80	65	>117Lm/W	30W	Clear+70°C Cover	No	AC220~240V	0.6	75°	-20°C~+45°C	1.6

Remarks: "XX" Means CCT 35=3500K 40=4000K 50=5000K 63=6300K

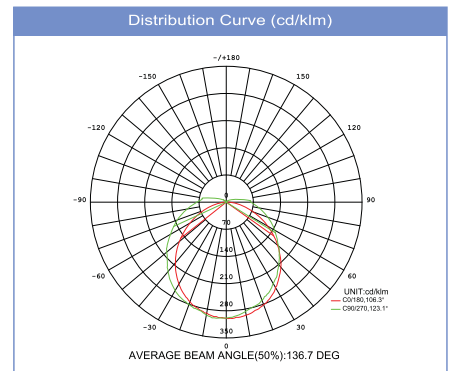
### 4. Product Dimension



### 5. Light Distribution Curve

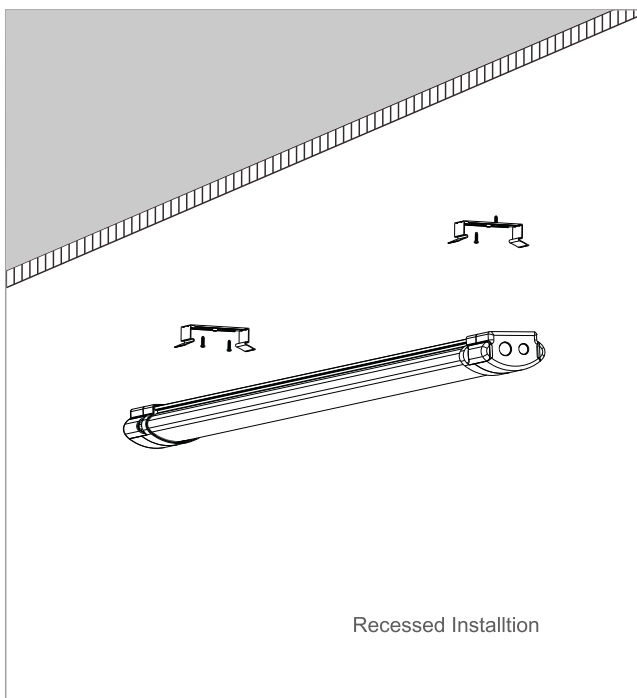
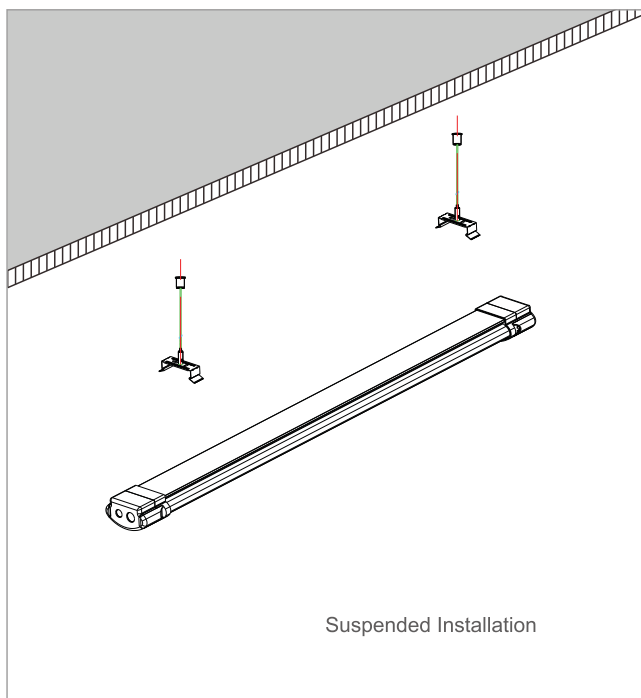


75°

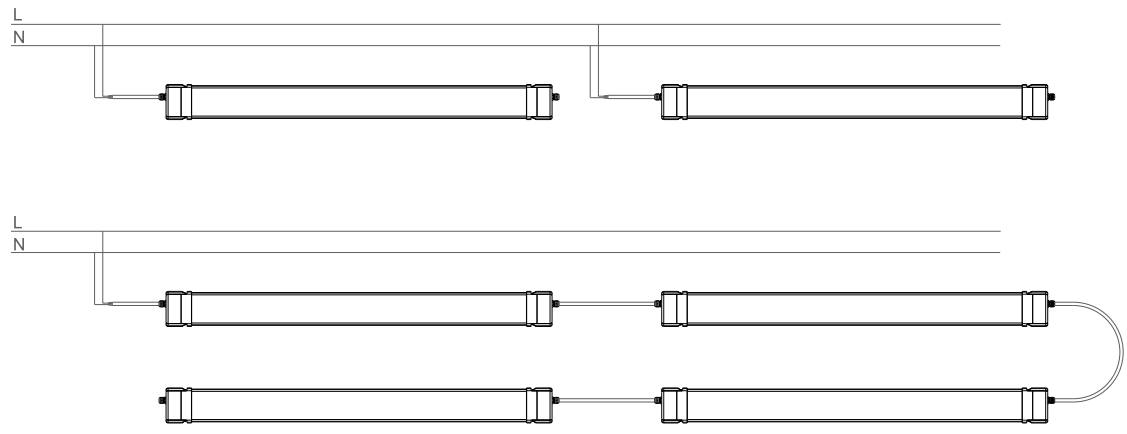


125°

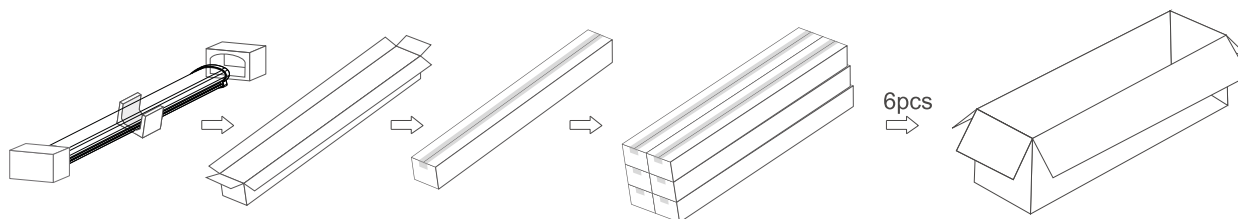
## 6.Installation



## Wiring Diagram



## 7.Packaging



Model NO.	Single Box	Pcs/ctn	N.W.(kg)	G.W./ctn(kg)	Outer carton/Meas(mm)
MS-LL1575-XXCE013 MS-LL1575-XXCE014 MS-LL1575-XXBE015 MS-LL1575-XXBE016	1	6	2.4	15.6	1700*290*290
MS-LL1250-XXCE009 MS-LL1250-XXCE010 MS-LL1250-XXBE011 MS-LL1250-XXBE012	1	6	2.1	13.8	1400*290*290
MS-LL0940-XXCE005 MS-LL0940-XXCE006 MS-LL0940-XXBE007 MS-LL0940-XXBE008	1	6	1.8	13.2	1100*290*290
MS-LL0630-XXCE001 MS-LL0630-XXCE002 MS-LL0630-XXBE003 MS-LL0630-XXBE004	1	6	1.6	10.8	800*290*290

## 8.Matters needing attention:

- ◆ Pls read the instruction manual carefully before installing the lighting fixtures.
- ◆ The disassembling and installation work are not allowed by the Non-professional.
- ◆ Please check the local voltage in accordance with the product requirements before using the products.
- ◆ Before connecting the power, pls ensure the that the switch is off to get rid of any electric shock.
- ◆ When using , do not put the item into any enclosure as it may affect the heat dissipation when working.
- ◆ Misuse of, or changes to the fixture shall nullify the guarantee.
- ◆ Make the power off and let it cool down completely when cleaning the led fixtures.
- ◆ Pls check the product carefully before installation, if any damage, pls keep it in the same and good packing and advise us in a timely manner.